

PLEASE CHECK WWW.MOLEX.COM FOR LATEST PART INFORMATION

Part Number: [0472660011](#)

Status: **Active**

Overview: high definition multimedia interface hdmi

Description: 0.50mm (.020") Pitch HDMI* Receptacle, Right Angle, Black, Through Hole Shell Tab Length 1.90mm (.075"), 0.76µm (30µ") Gold (Au) Selective Plating, Matt Tin Plated Shell, with Flange, Tape on Reel, Lead Free

Documents:

[3D Model](#)

[Product Specification PS-47152-001 \(PDF\)](#)

[Drawing \(PDF\)](#)

[RoHS Certificate of Compliance \(PDF\)](#)

General

Product Family	I/O Connectors
Series	47266
Application	Wire-to-Board
Comments	With Upper Flange
Component Type	Receptacle
Overview	<u>high definition multimedia interface hdmi</u>
Product Name	HDMI
Type	N/A

Physical

Boot Color	N/A
Circuits (Loaded)	19
Circuits (maximum)	19
Color - Resin	Black
Gender	Male
Keying to Mating Part	Yes
Lock to Mating Part	Yes
Material - Metal	Copper Alloy
Material - Plating Mating	Gold
Material - Plating Termination	Tin-Bismuth
Material - Resin	High Temperature Thermoplastic
Number of Rows	2
Orientation	Right Angle
PCB Locator	No
PCB Retention	Yes
Packaging Type	Embossed Tape on Reel
Panel Mount	Yes
Pitch - Mating Interface (in)	0.020 In
Pitch - Mating Interface (mm)	0.50 mm
Pitch - Term. Interface (in)	0.020 In
Pitch - Term. Interface (mm)	0.50 mm
Plating min: Mating (µin)	30
Plating min: Mating (µm)	0.76
Plating min: Termination (µin)	40
Plating min: Termination (µm)	1
Polarized to Mating Part	Yes
Polarized to PCB	Yes
Ports	1
Temperature Range - Operating	-20°C to +85°C
Termination Interface: Style	Surface Mount
Waterproof / Dustproof	No
Wire Size AWG	N/A

Electrical

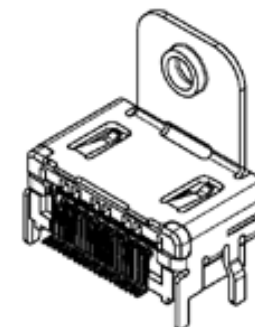


image - Reference only

Series

EU RoHS

**ELV and RoHS
Compliant**

REACH SVHC

Not Reviewed

Halogen-Free

Status

Not Reviewed

China RoHS



**Need more information on product
environmental compliance?**

Email productcompliance@molex.com
For a multiple part number RoHS Certificate of
Compliance, [click here](#)

Please visit the [Contact Us](#) section for any
non-product compliance questions.

Search Parts in this Series

[47266Series](#)

Mates With

[88768](#) HDMI cable assembly, [88764](#) HDMI
Adapter, [88767](#) HDMI Adapter

Current - Maximum per Contact	0.5A
Shield Type	Full Shield
Shielded	Yes
Voltage - Maximum	40V DC

Material Info

Reference - Drawing Numbers

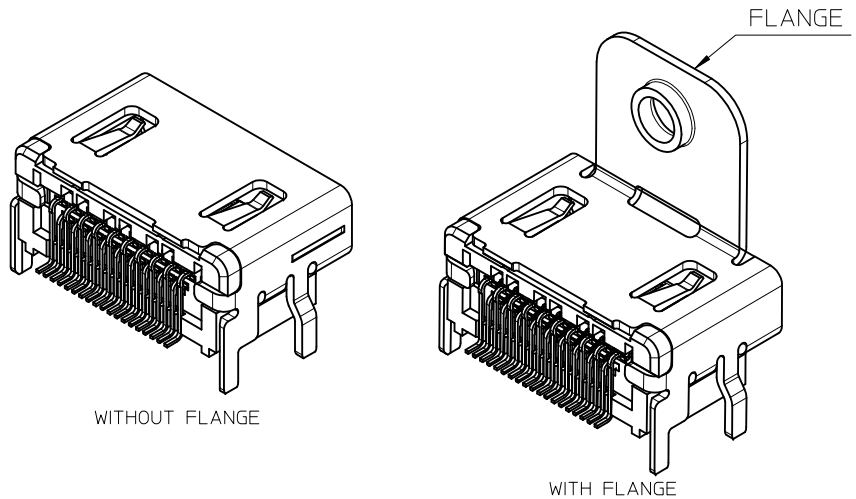
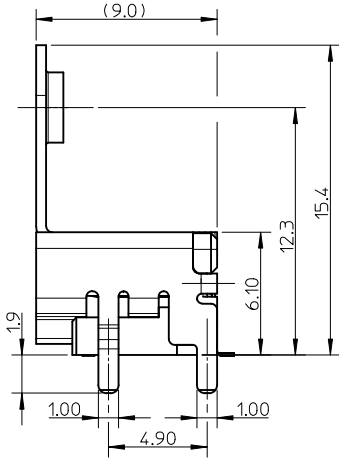
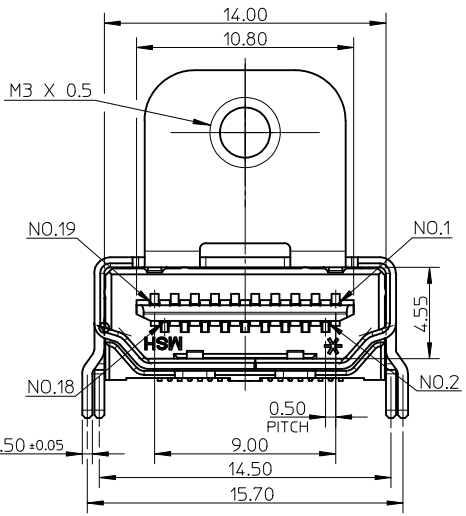
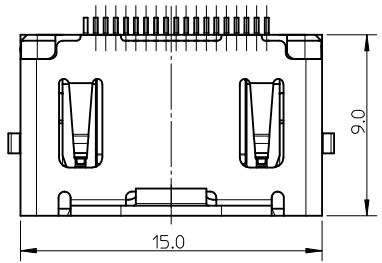
Packaging Specification	PK-47266-003
Product Specification	PS-47152-001
Sales Drawing	SD-47266-001

* High Definition Multimedia Interface and HDMI are trademarks of HDMI Licensing, LLC.

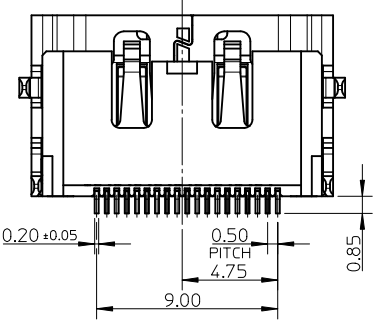
This document was generated on 05/19/2010

PLEASE CHECK WWW.MOLEX.COM FOR LATEST PART INFORMATION

10 9 8 7 6 5 4 3 2 1



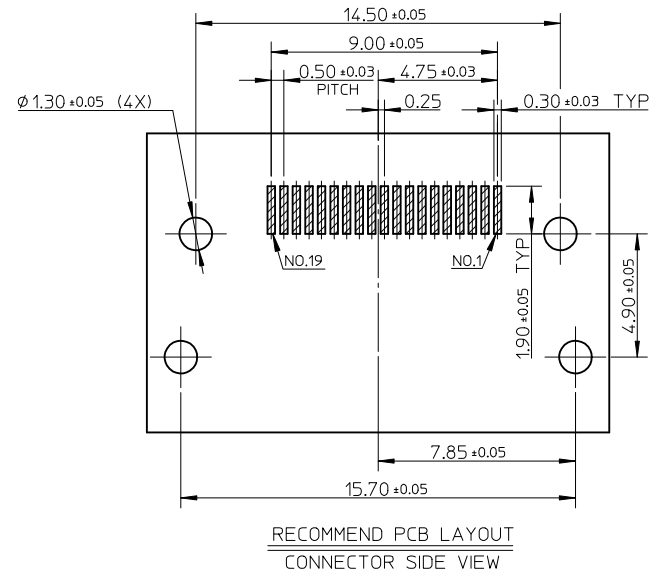
- NOTES:
- MATERIAL:
HOUSING: HIGH TEMPERATURE THERMAL PLASTIC. COLOR: SEE TABLE.
SHELL: COPPER ALLOY.
TERMINAL: COPPER ALLOY.
 - PLATING:
TERMINAL:
CONTACT AREA: (1) 0.76 MICROMETER MIN. GOLD PLATING.
(2) 0.25 MICROMETER MIN. GOLD PLATING.
(3) GOLD FLASH.
SOLDER AREA: 1 MICROMETER MIN. TIN-BISMUTH ALLOY PLATING.
UNDER PLATE: 1.27 MICROMETER MIN. NICKEL PLATING.
SHELL: (1) 1.27 MICROMETER MIN. MATTE TIN PLATING OVERALL.
(2) 0.75 MICROMETER MIN. SOLDERABLE NICKEL PLATING OVERALL.
 - TERMINAL RETENTION FORCE TO BE 0.3kgf Min.
 - PRODUCT SPECIFICATION: PS-47152-001.
 - PACKAGE SPECIFICATION: SEE TABLE.
 - COPLANARITY OF ALL TERMINALS IS 0.10mm MAX.
 - PRODUCT COMPLIANT TO RoHS DIRECTIVE 2002/95/EC AND ELV DIRECTIVE 2000/53/EC.



REVISED EC NO: SH2010-0165 DRWN: XZHZHANG 2009/11/03 CHKD: GLLI 2009/11/03 APPR: XJSONG 2010/01/28	QUALITY SYMBOLS	GENERAL TOLERANCES (UNLESS SPECIFIED)		DIMENSION STYLE	SCALE	DESIGN UNITS	THIRD ANGLE PROJECTION
	▽=0	mm	INCH	MM ONLY	4:1	METRIC	
	▽=0	4 PLACES ± --- ± ---	3 PLACES ± --- ± ---	DRAWN BY DATE	TITLE		
	▽=0	2 PLACES ± 0.20 ± ---	1 PLACE ± 0.30 ± ---	CHECKED BY DATE	HDMI RECEPTACLE W/SCREW R/A SMT CUSTOMER DRAWING		
	ANGULAR ± 2 °	DRAFT WHERE APPLICABLE MUST REMAIN WITHIN DIMENSIONS		APPROVED BY DATE	MOLEX MOLEX INCORPORATED		SHEET NO.
REV				MATERIAL NO.	DOCUMENT NO.		1 OF 2
				SEE SHEET 2	SD-47266-001		
				THIS DRAWING CONTAINS INFORMATION THAT IS PROPRIETARY TO MOLEX INCORPORATED AND SHOULD NOT BE USED WITHOUT WRITTEN PERMISSION			

9 8 7 6 5 4 3 2 1

P/N	HOUSING COLOR	CONTACT AREA PLATING	SHELL PLATING	REMARK	PACKAGE SPECIFICATION
47266-7211	NATURE	SEE NOTE 2(3)	SOLDERABLE NICKEL	WITHOUT FLANGE	TAPE & REEL, PK-47266-001
47266-7111		SEE NOTE 2(2)			
47266-7011		SEE NOTE 2(1)			
47266-6201	BLACK	SEE NOTE 2(3)	SOLDERABLE NICKEL	WITHOUT FLANGE	TAPE & REEL, PK-47266-001
47266-6101		SEE NOTE 2(2)			
47266-6001		SEE NOTE 2(1)			
47266-5211	NATURE	SEE NOTE 2(3)	SOLDERABLE NICKEL	WITH FLANGE	TAPE & REEL, PK-47266-003
47266-5111		SEE NOTE 2(2)			
47266-5011		SEE NOTE 2(1)			
47266-4211	BLACK	SEE NOTE 2(3)	SOLDERABLE NICKEL	WITH FLANGE	TAPE & REEL, PK-47266-003
47266-4111		SEE NOTE 2(2)			
47266-4011		SEE NOTE 2(1)			
47266-5201	NATURE	SEE NOTE 2(3)	SOLDERABLE NICKEL	WITH FLANGE	TRAY, PK-47266-002
47266-5101		SEE NOTE 2(2)			
47266-5001		SEE NOTE 2(1)			
47266-4201	BLACK	SEE NOTE 2(3)	SOLDERABLE NICKEL	WITH FLANGE	TRAY, PK-47266-002
47266-4101		SEE NOTE 2(2)			
47266-4001		SEE NOTE 2(1)			
47266-3201	NATURE	SEE NOTE 2(3)	MATTE TIN	WITHOUT FLANGE	TAPE & REEL, PK-47266-001
47266-3101		SEE NOTE 2(2)			
47266-3001		SEE NOTE 2(1)			
47266-2201	BLACK	SEE NOTE 2(3)	MATTE TIN	WITHOUT FLANGE	TAPE & REEL, PK-47266-001
47266-2101		SEE NOTE 2(2)			
47266-2001		SEE NOTE 2(1)			
47266-1211	NATURE	SEE NOTE 2(3)	MATTE TIN	WITH FLANGE	TAPE & REEL, PK-47266-003
47266-1111		SEE NOTE 2(2)			
47266-1011		SEE NOTE 2(1)			
47266-0211	BLACK	SEE NOTE 2(3)	MATTE TIN	WITH FLANGE	TAPE & REEL, PK-47266-003
47266-0111		SEE NOTE 2(2)			
47266-0011		SEE NOTE 2(1)			
47266-1201	NATURE	SEE NOTE 2(3)	MATTE TIN	WITH FLANGE	TRAY, PK-47266-005
47266-1101		SEE NOTE 2(2)			TRAY, PK-47266-002
47266-1001		SEE NOTE 2(1)			
47266-0201	BLACK	SEE NOTE 2(3)	MATTE TIN	WITH FLANGE	TRAY, PK-47266-005
47266-0101		SEE NOTE 2(2)			TRAY, PK-47266-002
47266-0001		SEE NOTE 2(1)			



SEE SHEET 1 EC NO: SH2010-0165 DRWN: XZ ZHANG 2009/11/03 CHKD: GLLI 2009/11/03 APPR: XJ SONG 2010/01/28	QUALITY SYMBOLS $\nabla_A = 0$ $\nabla_B = 0$ $\nabla_C = 0$	GENERAL TOLERANCES (UNLESS SPECIFIED)		DIMENSION STYLE MM ONLY		SCALE 4:1	DESIGN UNITS METRIC	THIRD ANGLE PROJECTION	
			mm	INCH	DRAWN BY ROST ZHANG	DATE 2005/05/20	TITLE HDMI RECEPTACLE W/SCREW R/A SMT CUSTOMER DRAWING		
		4 PLACES	± ---	± ---	CHECKED BY GRATE MA	DATE 2005/05/20	MOLEX INCORPORATED		
		3 PLACES	± ---	± ---	APPROVED BY XJ SONG	DATE 2010/01/26	DOCUMENT NO. SD-47266-001	SHEET NO. 2 OF 2	
			2 PLACES	± 0.20	± ---	THIS DRAWING CONTAINS INFORMATION THAT IS PROPRIETARY TO MOLEX INCORPORATED AND SHOULD NOT BE USED WITHOUT WRITTEN PERMISSION			
			1 PLACE	± 0.30	± ---				
			ANGULAR ± 2 °		MATERIAL NO. SEE TABLE				
			DRAFT WHERE APPLICABLE MUST REMAIN WITHIN DIMENSIONS		SIZE A3				